

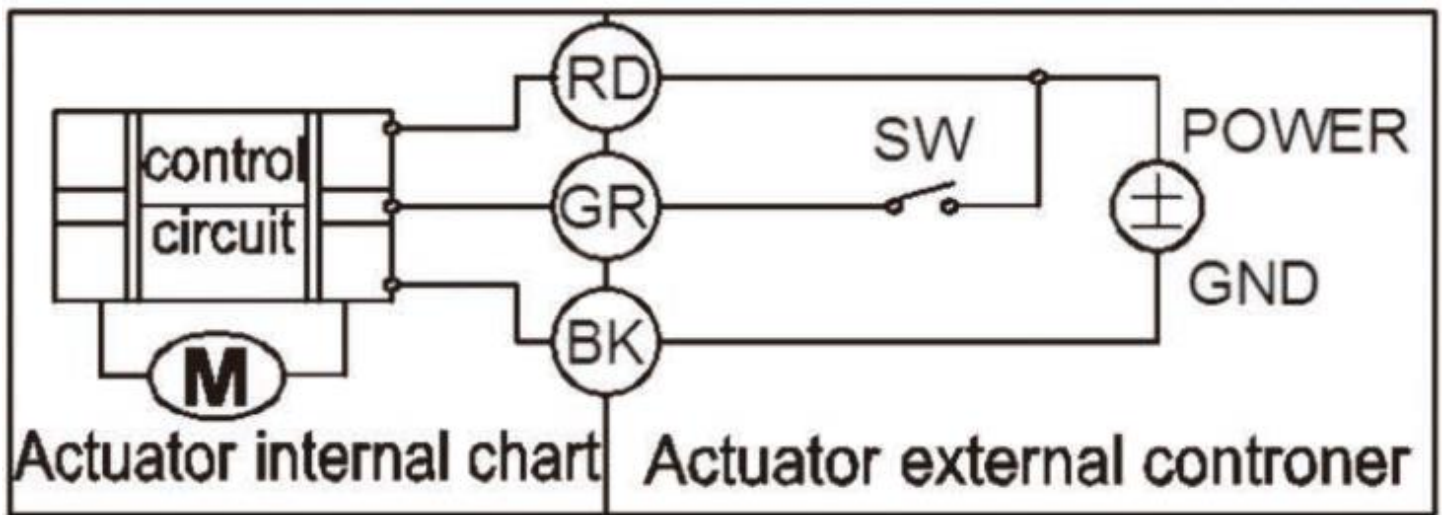
Motorized Valve A20-T15-S2-B

<http://www.tonheflow.com/product/detail/113>

A20-T15-S2-B 1/2" DN15 SS316 CR303 AC220v motorized valve with manual override



CR303 Wiring Diagram (3 Wires Control)



- RD& GR connect with positive, the BK connect with negative.
- SW CLOSED, the valve OPEN, the actuator automatically power off after in place
- SW OPEN, the valve CLOSED, the actuator automatically power off after in place.
- \* Suitable Working Voltage: AC/DC9-24V,AC110-230V
- \* Exceeding the working voltage is forbidden