

BiladSham TEMO – STPP

The Solar-Thermal Power Plant Project for the Future



Source- BOSCH Rexroth, Hydraulic Controls brochure



Above: Solar Thermal Power Plant in Mojave Desert, California



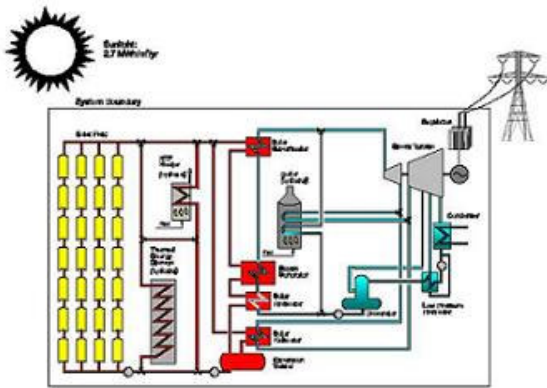
مشروع محطة طاقة عن طريق الطاقة الشمسية الحرارية

شارك في الاستثمار لتطور الامة

Investment for Future

بِسْمِ اللَّهِ الرَّحْمَنِ الرَّحِيمِ

The worldwide growth of economies creates an increasing demand for energy and fuel. On the other hand the demographic development both in Europe, where the working population is decreasing and in the North-African and Middle East region, where the amount of younger people who have a future working potential is increasing, it is necessary to find ways to offer future energy resources for Europe and the North-African and Middle East region. And in an increasing amount there must be found working possibilities for the growing up youth in the North-African and Middle East region especially now in background of the political changes in the region.



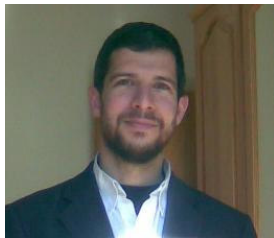
Block diagram of a solar thermal power plant

Solar collector array

So it is very important to implement one of the key technologies – energy producing technology – in this region on the one side and on the other side implementing a future energy resource for Europe when the conventional resources will be over and especially nuclear energy is not any more a desirable choice for European people after Fukushima accident.

So the TEMO-STPP project produces energy, which can be used by the producing country and also transported to Europe and on the other hand creates working possibilities for the young educated people in the North-African and Middle East region.

And with the help of God, the Almighty, this will be a big effort for a better and peaceful future for the two neighbour regions Europe and North-Africa/Middle East.



Samir Mourad, Electrical Engineer
AECENAR President & TEMO e.K. CEO

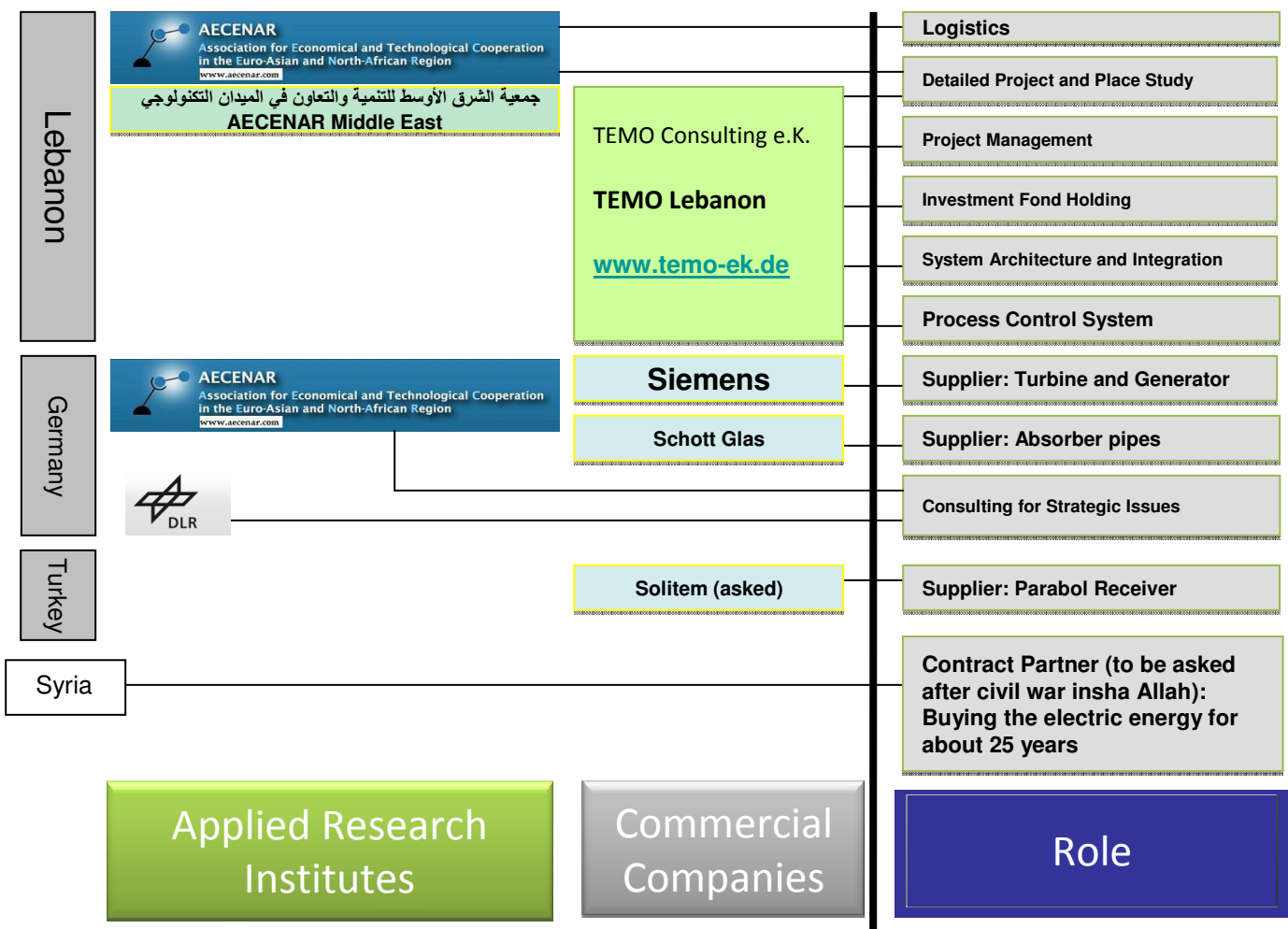




Cooperation between Europe and the Middle East/North African Region



Actual Partners and Roles in the BiladSham TEMO-STPP project



The Concept

With your investment at the TEMO Fonds you invest in the development and the future of the new Middle East, you invest in a clean and certain energy technology, and you will have insha Allah an attractive annual Rate of Return of Invest (ROI).

- Investment in the Solarthermal Power Plant BiladSham-STPP in the Syrian desert area near Hama and Homs
- Prognosted Return of Invest: 245%
- Key Technology which allows the region to develop in the energy technology area
- Turkish and Arab Partners ensure the growing cooperation between the brother countries in the region

Example:

Prognosted Return of 24.502 \$ for an investment of 10.000\$

Year	2014	2015	2016	2017	2018	2019	2021	2022	2022	2023	2024	2025	2026
------	------	------	------	------	------	------	------	------	------	------	------	------	------

%	2,00	6,00	47,34	51,71	57,52	63,64	69,46	74,12	79,42	84,62	87,81	91,23	94,88
---	------	------	-------	-------	-------	-------	-------	-------	-------	-------	-------	-------	-------

Accumulated Prognosted Return of Invest

Year	2027	2028	2029	2030	2031	2032	2033	2034	2035	2036	2037	2038
------	------	------	------	------	------	------	------	------	------	------	------	------

%	98,79	102,97	107,45	112,22	117,30	122,99	135,77	142,67	149,81	158,88	169,39	245,02
---	-------	--------	--------	--------	--------	--------	--------	--------	--------	--------	--------	--------

After 3 years insha Allah about the half of the investment will be returned

Your Contact:

Samir Mourad
 Phone (Office Lebanon) ++961(0)6 921318
 (Mobile Lebanon) ++961 71 935 938
 (Office Germany) ++49 (0)721 9658 567
 (Mobile Germany) ++49 (0)176 4039 2038
 Email: samir.mourad@temo-ek.de



TEMO Consulting e.K.
 Haid-und-Neu-Strasse 7
 76131 Karlsruhe, Germany

Email: info@temo-ek.de
 Website: www.temo-ek.de

Lebanese TEMO Contact Bureau

Ras Nhache (District: Batroun), Main Road
 Batroun, Lebanon
 Tel./Fax. ++961(0)6 921318